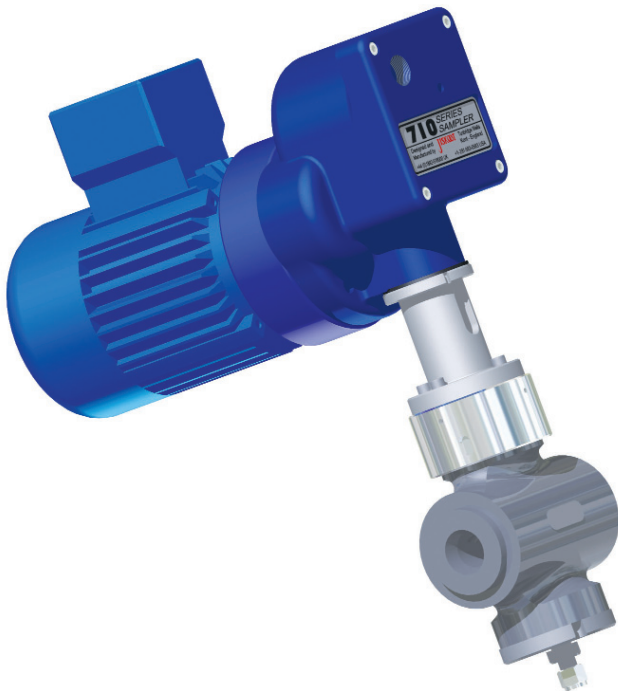


JISKOOT™ QUALITY SYSTEMS

DATA SHEET S136-1107-4

710EL-MC Cell

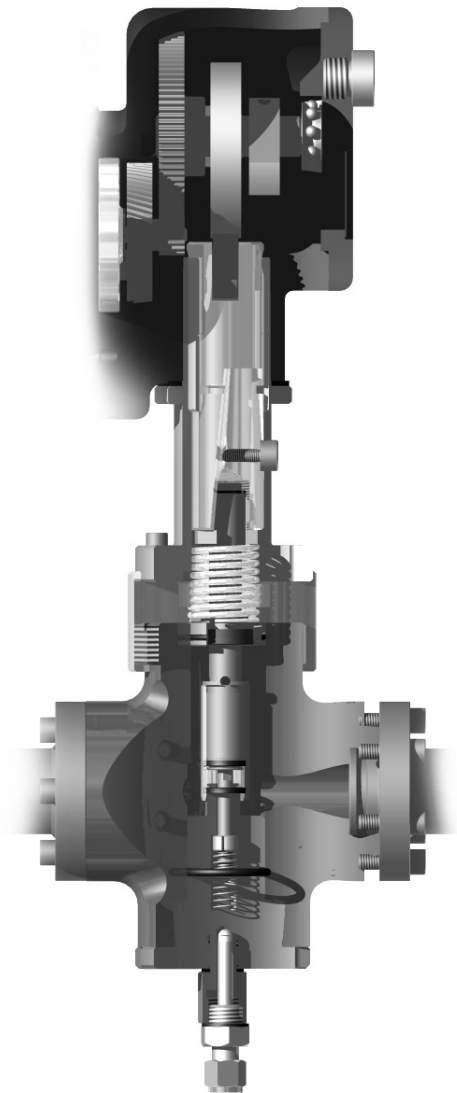
Electrically driven flow-through sample extractor



The 710EL-MC Cell is a low-pressure flow-through sample extraction device suitable for use as part of an externally pumped bypass or a small diameter pipeline. Powered by an integrated motor, it is ideal as part of a Jiskoot fast-loop sampling system or a fiscal quality loop where an air supply is unavailable.

The sampler's 'high grab rate' (ability to collect an extremely high number of grabs per minute) ensures that a fully representative sample can still be extracted from very small product batches.

The 710EL-MC Cell incorporates a positive displacement sample action to ensure sample repeatability and there are no water retention voids in the body, further improving accuracy.



The sampler caters for a wide range of applications, able to sample products that range from Natural Gas Liquid at -20°C to refined and crude oils up to 100°C.

Specification

Fluids sampled	Crude oil, refined hydrocarbons (including non-lubricating products) & non-corrosive chemicals
Viscosity range	0.5 to 500 cSt. (Under optimal conditions)
Line temperature range	-20 to 100°C / -4 to 212°F
Ambient temperature range	-20 to 60°C / 4 to 104°F
Max. operating pressure	50 Barg at 40°C (std materials of construction)
Configuration	Full bore - flow through cell
Size range	1" to 2" Nominal bore
Mounting arrangements	1" Nominal bore - ANSI class 150 - wafer type (standard) (1", 1-1/2" & 2" flanged versions available on request)
Sample grab size (nominal)	1cc
Grab size repeatability	Better than ±5%
Grab size adjustment	+50% / -0%
Max. grab rate	50+ grabs per minute **
Sample outlet connection	1/4" Swagelok®
Standard materials	Pressure retaining: 316/304 Stainless steel Standard seals: Graphite filled P.T.F.E. Standard O' rings: Viton (Kalrez available*) (NACE certification available*)
Operating standards and CE compliance	ISO 3171, API 8.2, IP 6.2, PED – 97/23/EC Machinery directive – 98/37/EC
Approximate weight	16kg (35 lb)

Actuation data

Motor supply	600v Max 50/60Hz 3 phase 90w Max, via the 710 MCU (Motor Controller Unit)
Actuation method	The 710EL-MC probe is actuated via the 710 MCU (motor controller unit) (see datasheet for further information)

* Charges made for these items.

** Maximum grab rate and seal life are dependant on process conditions, i.e. line pressure and fluid viscosity.

MEASUREMENT SYSTEMS

DIVISION HEADQUARTERS
HOUSTON, TEXAS
+1 800 654 3760

JISKOOT QUALITY SYSTEMS
HEADQUARTERS
TUNBRIDGE WELLS, KENT, UK

+44 1892 518000
ms-jiskootinformation@c-a-m.com

JISKOOT QUALITY SYSTEMS
US TECH CENTER
HOUSTON, TEXAS

+1 281 582 9500
ms-jiskootsales@c-a-m.com

USA • CANADA • UK • CHINA • UAE • ALGERIA • MALAYSIA • INDIA • KENYA

www.c-a-m.com/jiskoot